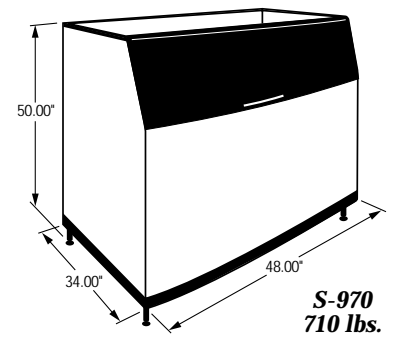
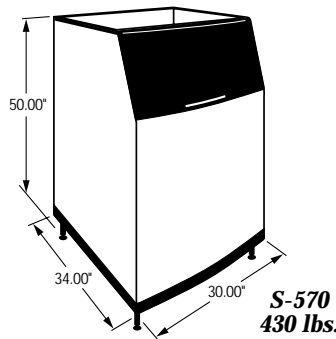
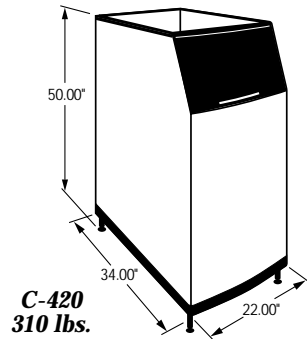
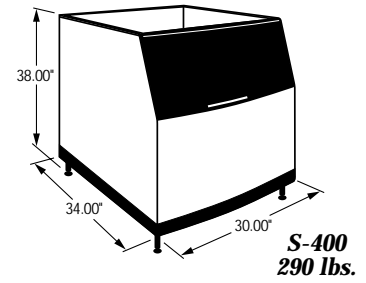
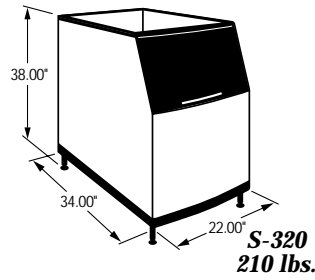
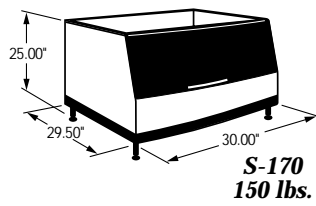
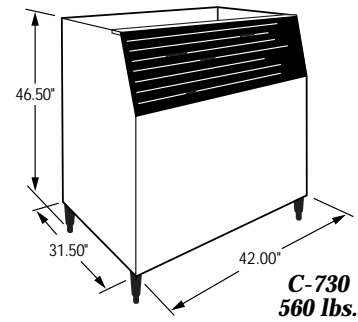
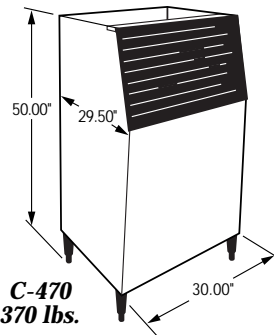


Ice Storage Bins

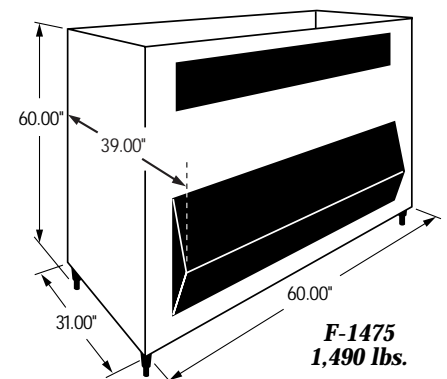
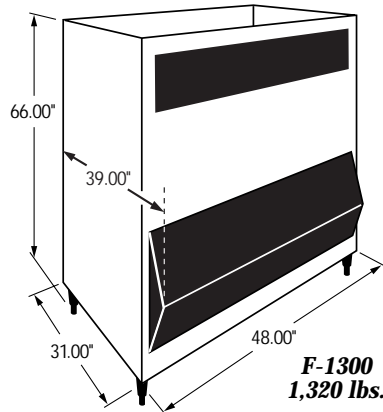
S-Style



C-Style



F-Style



THE RIGHT CLIMATE FOR LEADERSHIP

Manitowoc

ICE CUBE MACHINES • ICE STORAGE BINS • ICE DISPENSERS

Manitowoc Ice Storage Bins

S-Style															
Bin Model	Cap. (Lbs.) ¹	Fits Q Ice Machine Series Indicated										Dimensions (Inches)			Ship Wt. (Lbs.)
		280	320	420	450	600	800	1000	1300	1800	H ²	W	D		
S-170	150	■	1	1	■						25.00	30.00	29.50	92	
S-320	220		■	■							38.00	22.00	34.00	91	
S-400	290	■	1	1	■	■	■	■			38.00	30.00	34.00	135	
S-420	320		■	■							50.00	22.00	34.00	146	
S-570	400	■	1	1	■	■	■	■			50.00	30.00	34.00	129	
S-970 ³	760	2			2	2	2	2	■	■	50.00	48.00	34.00	173	

S-style ice storage bin is companion bin to Q-Model ice machine design. Features one-piece compression-molded, composite resin base which is corrosion-free. Structural foam ice deflector promotes uniform ice break-up into individual cubes and helps silence ice harvesting. PVC base molding protects metal from dents and scratches when cleaning beneath bin. Soft durometer trim around opening helps silence bin

door closing. Patent-pending hinge pin design holds open bin door while in use. Internal scoop holder stays above ice line promoting easy access and better sanitation. Stainless steel exterior with soft radius corners is durable, corrosion resistant, and attractive. Rugged polyethylene seamless bin liner is rigid and impact resistant.



Certified In Accordance With ARI Ice Storage Bins Certification Program, which is based on ARI Standard 820

¹K-00141 adapter required.

²K-00140 adapter required.

Gray painted flanged foot 6" legs included, adjustable from 6.00" to 7.00".

Storage capacity is based on 80% of total volume x 30 lb/ft³ average density of ice.

C-Style															
Bin Model	Cap. (Lbs.) ¹	Fits B, J or Q Ice Machine Series Indicated										Dimensions (Inches)			Ship Wt. (Lbs.)
		280	320	420	450	600	800	1000	1300	1800	H ²	W	D		
C-470	370	■	3	3	■	■	■	■			50.00	30.00	29.50	145	
C-730 ²	560	4	5	5	4	4	4	4			46.00	42.00	31.50	168	

C-style stainless steel exterior metal is same material used for Q-Model ice machines. Bin door, although rectangular, is gray ABS to match Q-Model ice machine trim color. C-style bin does not include scoop holder, bin door design, or rounded corner enhance-

ments included with S-style design. Bin leg is bullet design, adjustable from 6.00" to 7.75" and painted black. Bin liner is one-piece (seamless) "rotocast" polyethylene. Liner won't rust, dent, chip, crack or discolor.



Certified In Accordance With ARI Ice Storage Bins Certification Program, which is based on ARI Standard 820

¹K-00105 adapter required.

²C-730 includes K-00023 adapter to mount 30" ice machine.

³K-00117 adapter required. Gray painted 6.00" bullet legs included, adjustable from 6.00" to 7.75".

Storage capacity is based on 80% of total volume x 30 lb/ft³ average density of ice.

F-Style														
Bin Model		Cap. (Lbs.) ¹	Fits B, J or Q Ice Machine Series Indicated							Dimensions (Inches)			Ship Wt. (Lbs.)	
Painted	Stainless		450	600	800	1000	1300	1800	H ²	W	D			
F-1300P	F-1300	1,320	■	■	■	■	■	■	■	■	66.00	48.00	31.00	365
F-1475P	F-1475	1,475	■	■	■	■	■	■	■	■	60.00	60.00	31.00	400

F-style traditional large capacity ice storage bin available in gray painted or stainless steel exterior. Features ice gate delivery system for easier ice removal, reduced spillage and increased employee safety. Polyethylene lift door with power hinge holds door safely and positively without latches and

eliminates sharp corners and gaskets. Interior liner is polyethylene for exceptional durability in high impact area. Stainless bin top is cut to accept ice machine. Specify 30" or 48" wide Manitowoc ice machine model at time of order.



Requires installation of K-00139 Ice deflector (ordered separately).

Gray painted 6" legs included, adjustable from 6.00" to 7.50".

Storage capacity is based on 90% of total volume x 35 lb/ft³ average density of ice.

BIN LEG OPTIONS

4", 6" and 12" adjustable legs in painted and stainless steel and 2 1/2", and 7 5/8" casters available for most models. Contact factory for model number and order information.

WARRANTY

Provides comprehensive, 3-year parts-and-labor coverage. For details see Ice Storage Bin Warranty Statement.

THE RIGHT CLIMATE FOR LEADERSHIP

Consult your local Manitowoc Representative:

Manitowoc Ice, Inc.
2110 South 26th Street, P.O. Box 1720 • Manitowoc, WI 54221-1720, USA
Ph: 920-682-0161 • Fax: 920-683-7589
www.manitowocice.com

