

**New**



**M**  
**45**

**43 kgs.**  
**95 lbs.**



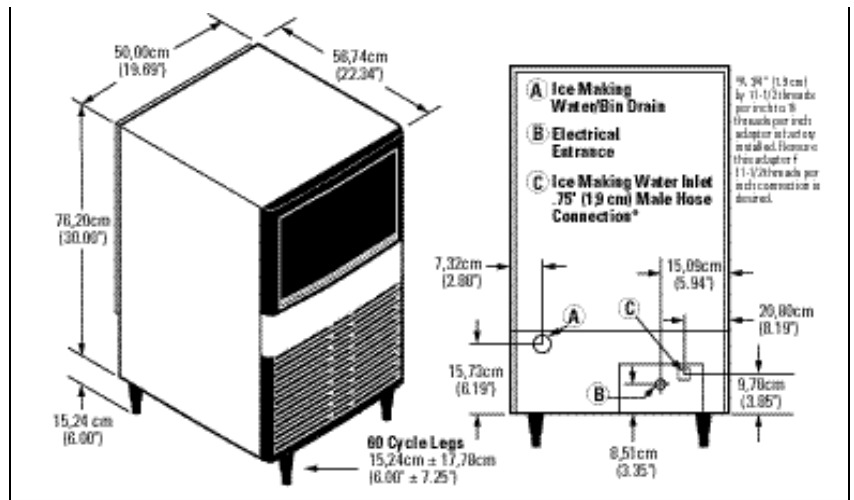
**Compact size.  
Produces up to 43\*  
kgs./95 lbs. of ice  
every 24 hours with  
a storage capacity  
of 14 kgs./30 lbs.  
Ideal for any small-  
volume ice need.**

\*Production rating outside the scope  
of ARI Standard 820.

- ◆ **Attractive Stainless Steel Cabinet – Euro-Design**
- ◆ **Easy Access Door, Slides Up & Out of the Way**
- ◆ **Patented Cleaning & Sanitizing Technology**
- ◆ **Easy Access Air Filter**
- ◆ **Front Air Intake & Exhaust**
- ◆ **CFC-FREE R-134A Refrigerant**
- ◆ **Manitowoc Proven Vertical Evaporator**
- ◆ **Computerized Control**
- ◆ **Patent-Pending Worldwide**
- ◆ **3 Year Parts & Labor Warranty**

**Manitowoc**  
**ICE MACHINES**

# QM45



Model	Cube size	Ice production 24 hours	Power kWh/100 lbs.	Storage Bin Capacity
QM45A	dice	65 lbs. 30 kgs.	14.9	30 lbs. 14 kgs.
Water usage/100 lbs./45.4 kgs. of Ice • Potable Water: 38.6 gallons, 146 liters				

24-HOUR PRODUCTION † lbs./kgs.			
air temp	water temp		
°F	50°	70°	90°
°C	10°	21°	32°
70°	95	80	70
21°	43	36	32
80°	90	75	65
27°	41	34	30
90°	80	65	55
32°	36	30	25
100°	70	60	50
38°	32	27	23

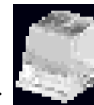
\*"A" following model number indicates "Air" cooled condensing unit.



Certified In Accordance With ARI Ice Storage Bins Certification Program, which is based on ARI Standard 820

**CUBE SIZE**

Dice: 19mm x 19mm x 19mm (¾" x ¾" x ¾").



**ELECTRICAL**

115/60/1 ice machines are factory pre-wired with a 180 cm (6') power cord and NEMA 5-15P-plug configuration. (230/50/1 also available, see 50 cycle literature.)

**Total Amps:** 5.2 amps.

**Maximum fuse size:** 15 amps.

HACR-type circuit breakers can be used in place of fuses. 1/4 HP.

**COMPRESSOR**

**CONDENSER**

Air-cooled.

**OPERATING ENVIRONMENT**

Ambient temperature 1.7-43.3°C (35°-110°F). Potable water temperature 0.6-32.2°C (33°-90°F). Water pressure 138-551 kPa (20-80 psi).

**INSTALLATION CLEARANCE**

None required top and sides but allow space for water supply, drain, and electrical connection in back.

**AIR FILTER**



Quickly removed, slides out from left side front without tools, easy to clean, reusable filter protects condenser from lint, grease and dust.

**CLEANING SYSTEM**

Built-in cleaning and sanitizing technology.

**LEGS**

Adjustable from 15.24 to 17.78 cm. (6.00"-7.25").

**ICE STORAGE**

One piece bin liner (seamless) "Rotocast" polyethylene.

**INSULATION**

Foamed-in-place with CFC-FREE foam.

**LISTINGS**



# Manitowoc® ICE MACHINES

Manitowoc Ice, Inc. ♦ Phone: 920-682-0161 ♦ Fax: 920-683-7589 ♦ [www.manitowocice.com](http://www.manitowocice.com)

Form 9484B Fax Litho in USA 11-99 ©1999 MANITOWOC