

# **Q-Model Series 420 Ice Cube Machine**



*Q-Model Series 420  
Ice Machine on S-420 Bin*

- *Up to 530\* lbs. (241 kgs.) daily ice production*  
\*Production rating outside the scope of ARI Standard 820.
- *Only 22" (55.88 cm) wide*
- *Stainless steel exterior with the fit and finish of an appliance*
- *Rugged, corrosion-free base*
- *Patented cleaning and sanitizing technology*
- *New batch water system delivers better ice cube formation*
- *R-404A CFC-free refrigerant*
- *Warranty*
  - *5-year parts and 5-year labor coverage on ice machine evaporator*
  - *5-year parts and 3-year labor coverage on ice machine compressor*
  - *3 year parts-and-labor coverage on all other ice machine, dispenser, and storage bin components*



**ISO 9001  
Quality  
System  
Certified**

**THE RIGHT CLIMATE FOR LEADERSHIP**

**Manitowoc®**


ICE CUBE MACHINES • ICE STORAGE BINS

# Manitowoc Q-Model 420 Series

A seamless blend of thoughtful design, new technology and rugged construction.

Model	Cube size	Ice production 24 hours		Power kWh/100 lbs.
		lbs.	kgs.	
QR-0420A	regular	355	161	7.7
QR-0421W	regular	410	186	5.9
QD-0422A	dice	380	173	7.2
QD-0423W	dice	440	200	5.5
QY-0424A	half-dice	380	173	7.2
QY-0425W	half-dice	440	200	5.5
Water usage/100 lbs./45.4 kgs. of Ice				
Potable Water: 26.4 gallons, 99.93 liters				
Water-cooled Condenser: 177 gallons, 670 liters				

- Order ice storage bin separately.
- "A" or "W" following model number indicates "Air" or "Water" condensing unit.

 Certified in Accordance with ARI Automatic Commercial Ice-Cube Machines (Batch-Type) Certification Program, which is based on ARI Standard 810

## Ice Machine Electric

115/60/1. (208-230/60/1 also available. For 230/50/1 see 50 cycle literature.)

### Minimum circuit ampacity:

Air-cooled — 12.3 amps. Water-cooled — 11.4 amps.

Maximum fuse size: Air and Water-cooled — 20 amps.

HACR-type circuit breakers can be used in place of fuses.

## Specifications

### BTU Per Hour:

7,000 (average) 9,600 (peak)

### Compressor:

Nominal rating: 3/4 HP

### Cupra-Nickel Condenser:

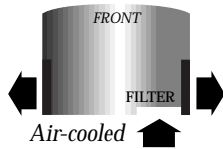
(Water-cooled models)  
Adds protection from corrosive water elements.

### Operating Limits:

- Ambient Temperature Range: 35°-110°F (1.7°-43.3°C)
- Water Temperature Range: 33°-90°F (0.6°-32.2°C)
- Water Pressure Ice Maker Water In: Min. 20 psi (137.9 kPa) Max. 80 psi (551.1 kPa)
- Condenser Inlet Water In: (Water cooled only) Min. 20 psi (137.9 kPa) Max. 150 psi (1,034.2 kPa)



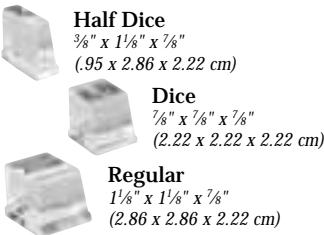
## Air Flow Top View



## AuCS® Accessory



## 3 Cube Sizes to Choose From



24-HOUR PRODUCTION †								lbs./kgs.
AIR-COOLED UNIT				WATER-COOLED UNIT				
air temp	water temp			air temp	water temp			
°F	50°	70°	90°	°F	50°	70°	90°	
°C	10°	21°	32°	°C	10°	21°	32°	
70°	530	480	440	70°	520	460	420	
21°	241	218	200	21°	236	209	191	
80°	480	430	400	80°	510	450	410	
27°	218	195	182	27°	232	204	186	
90°	430	380	350	90°	500	440	400	
32°	195	173	159	32°	227	200	182	

†Production for Dice and Half Dice cubes. Regular cube is 7% less than chart and kWh/100 lbs. increases 7%.

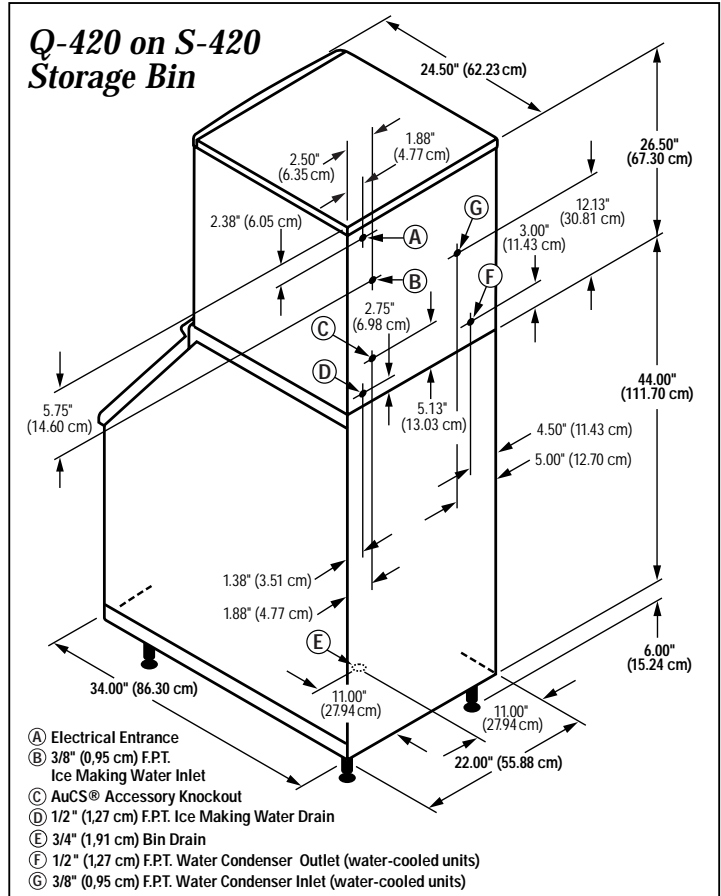
## Space-Saving Designs



	Q-420 S-420	Q-420 S-400*
Height	76.50" 194.31 cm	64.50" 163.83 cm
Width	22.00" 55.88 cm	30.00" 76.20 cm
Depth	34.00" 86.30 cm	34.00" 86.30 cm
Bin Storage	310 lbs. 140.7 kgs.	290 lbs. 131.7 kgs.

Height includes adjustable bin legs 6.00" to 7.00" (15.24 to 17.78 cm) set at 6.00" (15.24 cm). For comparison purposes multiply ARI capacity by 1.3 (30%) to arrive at approximate "Application Rating Capacity."

\*K-00141 bin adapter required.



**Installation Note** - Minimum Installation Clearance: Top/Sides are 8" (20.32 cm), Back is 5" (12.7 cm).

## THE RIGHT CLIMATE FOR LEADERSHIP

Consult your local Manitowoc Representative:

Manitowoc Ice, Inc.  
2110 South 26th Street, P.O. Box 1720 • Manitowoc, WI 54221-1720, USA  
Ph: 920-682-0161 • Fax: 920-683-7589  
[www.manitowocice.com](http://www.manitowocice.com)

