

Q-Model Series 270 Ice Cube Machine

New



Q-Model Series 270

- *Up to 290* lbs. (132 kgs.) daily ice production*
*Production rating outside the scope of ARI Standard 820.
- *Only 30" (76.2 cm) wide, 28.16" (71.52 cm) deep, and 38.50" (97.79 cm) high on 6" (15.24 cm) legs*
- *100 lb. (45.45 kg) ice storage capacity*
- *Slide up and in bin door tucks under ice machine top cover. Patented ice damper maximizes ice storage capacity*
- *Stainless steel exterior with the fit and finish of an appliance*
- *Patented cleaning and sanitizing technology*
- *R-404A CFC-free refrigerant*
- *Warranty*
 - *5-year parts and 5-year labor coverage on ice machine evaporator*
 - *5-year parts and 3-year labor coverage on ice machine compressor*
 - *3 year parts-and-labor coverage on all other components*



ISO 9001
Quality
System
Certified

THE RIGHT CLIMATE FOR LEADERSHIP

Manitowoc[®]

ICE CUBE MACHINES • ICE STORAGE BINS

Manitowoc Q-Model 270 Series


A seamless blend of thoughtful design, new technology and rugged construction.

Model	Cube size	Ice production lbs./Kgs. 24 hours	Power kWh/100 lbs.
QR-0270A	regular	200 lbs./91 Kgs.	9.7
QR-0271W	regular	227 lbs./103 Kgs.	7.8
QD-0272A	dice	215 lbs./98 Kgs.	9.0
QD-0273W	dice	245 lbs./111 Kgs.	7.3
QY-0274A	half-dice	215 lbs./98 Kgs.	9.0
QY-0275W	half-dice	245 lbs./111 Kgs.	7.3
Water usage/100 Lbs./45.4 Kgs. of Ice			
Potable Water: 32 gallons, 121 Liters			
Water-cooled Condenser: 167 gallons, 632 Liters			

* "A" or "W" following model number indicates "Air" or "Water" condensing unit.

24-HOUR PRODUCTION †								lbs./kgs.
AIR-COOLED UNIT				WATER-COOLED UNIT				
air temp	water temp			air temp	water temp			
°F	50°	70°	90°	°F	50°	70°	90°	
°C	10°	21°	32°	°C	10°	21°	32°	
70°	280	245	220	70°	290	255	235	
21°	127	111	100	21°	132	116	107	
80°	275	240	215	80°	285	250	230	
27°	125	109	98	27°	130	114	105	
90°	250	215	190	90°	280	245	225	
32°	114	98	86	32°	127	111	102	

† Production for Dice and Half Dice cubes. Regular cube is 7% less than chart.

 Certified In Accordance With ARI Ice Storage Bins Certification Program, which is based on ARI Standard 820

Ice Machine Electric

115/60/1. (208-230/60/1 also available.) For 230/50/1 see 50 cycle literature. 115/60/1 ice machines are factory pre-wired with a 6' (180 cm) power cord and NEMA 5-15P-plug configuration. 208-230/60/1 ice machines are factory pre-wired with a 6' (180 cm) power cord only, no plug is supplied.

Total Amps:

Air-cooled — 9.9 amps. Water-cooled — 9.1 amps.

Maximum fuse size:

Air and Water-cooled — 20 amps.

HACR-type circuit breakers can be used in place of fuses.

Specifications

BTU Per Hour:

3,800 (average) 6,000 (peak)

Compressor:

Nominal rating: 1/2 HP

Cupra-Nickel Condenser:

(Water-cooled models)
Adds protection from corrosive water elements.



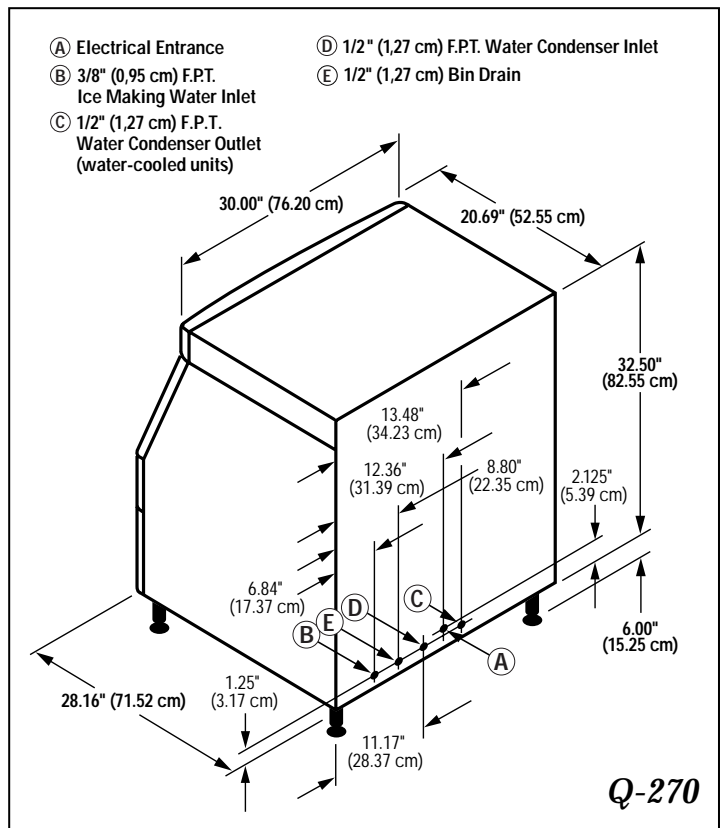
Operating Limits:

- Ambient Temperature Range: 35°-110°F (1.7°-43.3°C)

- Water Temperature Range: 33°-90°F (0.6°-32.2°C)

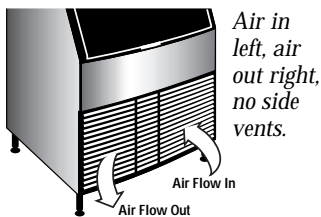
- Water Pressure Ice Maker Water In: Min 20 psi (137.9 kPa) Max 80 psi (551.1 kPa)

- Condenser Inlet Water In: (Water cooled only) Min. 20 psi (137.9 kPa) Max. 150 psi (1,034.2 kPa)



Installation Note - There is no minimum clearance required, however recommended clearance for top, sides, and back is 5" (12.7 cm).

Air Flow Front View

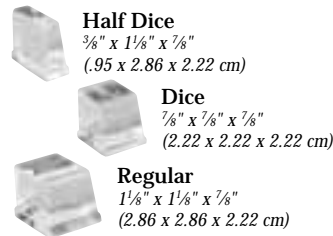


Air Filter



Slides out from right side front without tools, easy to clean, reusable filter protects condenser from lint, grease and dust.

3 Cube Sizes to Choose From



Front Access

Initiate ice, off and clean operations with simple upfront selector switch. No need to remove front panel.



THE RIGHT CLIMATE FOR LEADERSHIP

Consult your local Manitowoc Representative:

Manitowoc Ice, Inc.
2110 South 26th Street, P.O. Box 1720 • Manitowoc, WI 54221-1720, USA
Ph: 920-682-0161 • Fax: 920-683-7589
www.manitowocice.com

