

F-Style Large Capacity Ice Storage Bins



Manitowoc F-style, large capacity ice storage bins are equipped with an ice gate for increased employee safety, easier ice removal, and reduced spillage.

Choose model F-1300 with 1,320 lbs. (600 kgs.) of ice storage capacity or model F-1475 with 1,490 lbs. (675 kgs.) of ice storage capacity. Both models available with gray painted or stainless steel exterior. Stainless exterior includes stainless back and bottom. Bin includes stainless top cut to accept ice machine. Specify 30" (76.2 cm) or 48" (121.92 cm) wide ice machine model at time of order.

Ice Gate

- Positively controls ice flow into snout for easy removal with either scoop or shovel.
- Returns easily to full down position.

Durable Polyethylene Lift Door With Power Hinge

- Holds door open safely and positively without latches.
- Eliminates sharp corners and gaskets.
- Provides outstanding durability.
- Offers maximum access for easy, fast ice removal.

Non-Corroding Poly Liners

- Eliminates liner pitting and staining.
- Provides exceptional durability in high impact area.

Quality Construction

- Heavy-duty welded construction.
- Non-CFC foamed-in-place insulation.
- Double-wall polyethylene inspection windows.

3-Year Parts-and-Labor Warranty

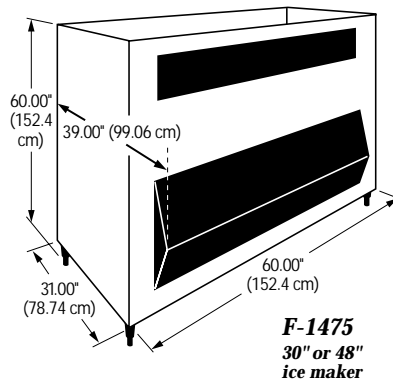
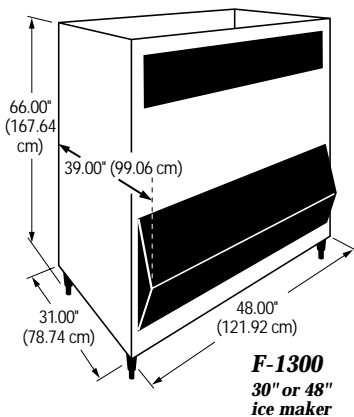
Series 1300 and 1800 ice machine requires installation of K-00139 ice deflector. Order separately.



MODEL		NOMINAL STORAGE CAPACITY*				SHIPPING WEIGHT	
PAINTED	STAINLESS	LBS.	KGS.	CU. FT.	CU. M.	LBS.	KGS.
F-1300P-30	F-1300-30	1,320	600	41.9	1.20	365	166
F-1300P-48	F-1300-48	1,320	600	41.9	1.20	365	166
F-1475P-30	F-1475-30	1,490	677	47.4	1.35	400	182
F-1475P-48	F-1475-48	1,490	677	47.4	1.35	400	182

One set of gray painted legs included. Height includes bin legs set at 6.00" (15.24 cm).
Legs adjust from 6.00" (15.24 cm) to 7.50" (19.05 cm).

*Storage capacity is based on 90% of total volume x 35 lb./ft.³ average density of ice.



THE RIGHT CLIMATE FOR LEADERSHIP

Manitowoc Ice, Inc.

2110 South 26th Street, P.O. Box 1720 • Manitowoc, WI 54221-1720, USA • Ph: 920-682-0161 • Fax: 920-683-7589 • www.manitowocice.com

©1999 Maniowoc 9171B Fax- 11/99 Continuing product improvement may necessitate change of specifications without notice.

